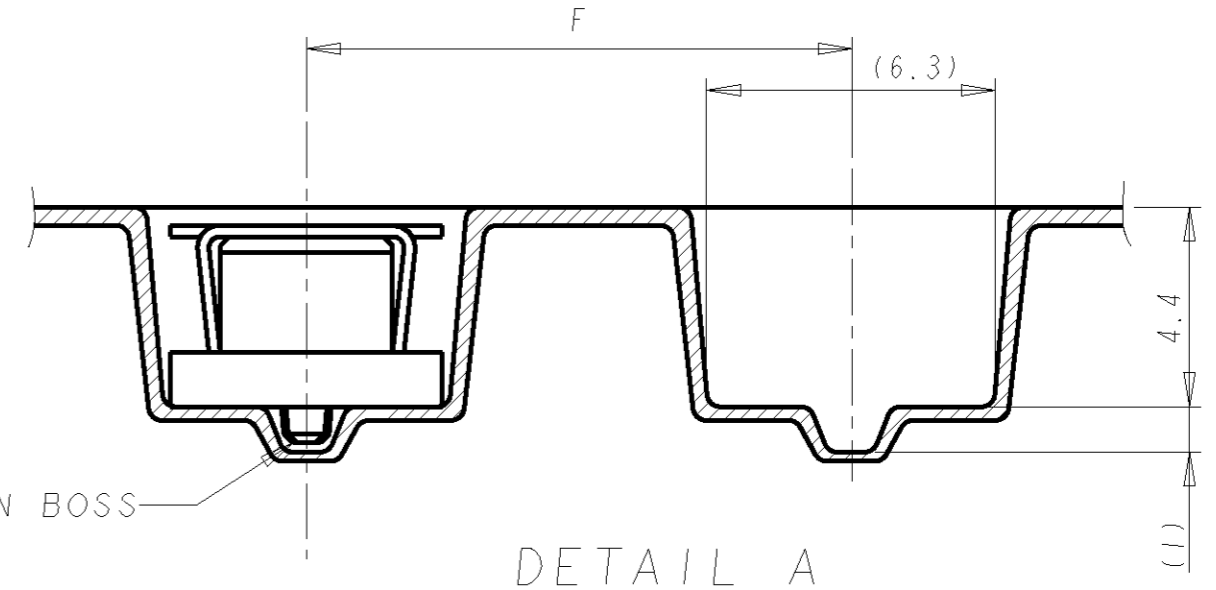
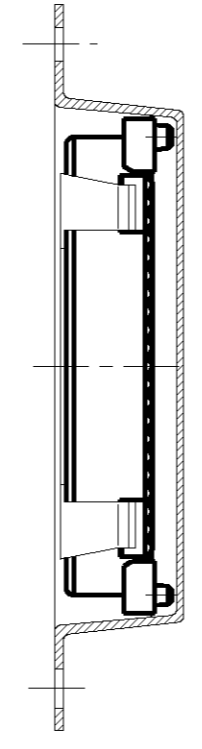
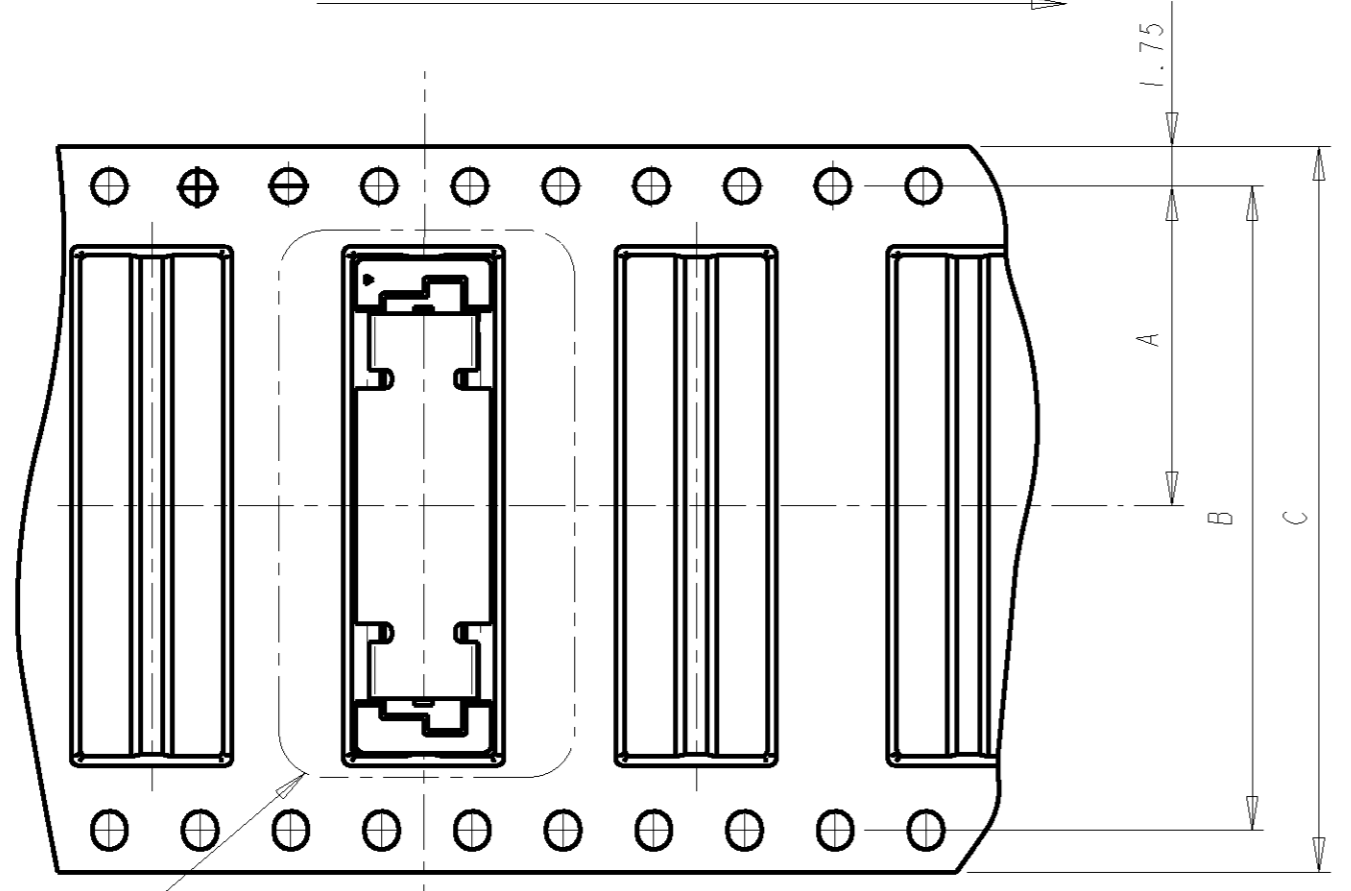


THIS DRAWING IS UNPUBLISHED. RELEASED FOR PUBLICATION
 © COPYRIGHT BY ALL RIGHTS RESERVED.

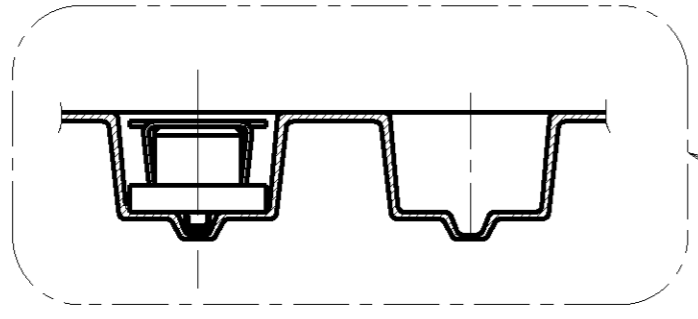
LOC		DIST		REVISIONS			
P	LTR	DESCRIPTION	DATE	DWN	APVD		
P		REVISED PER ECO-11-005139	19MAR11	RK	HMR		

DIRECTION OFF TOP OF REEL →

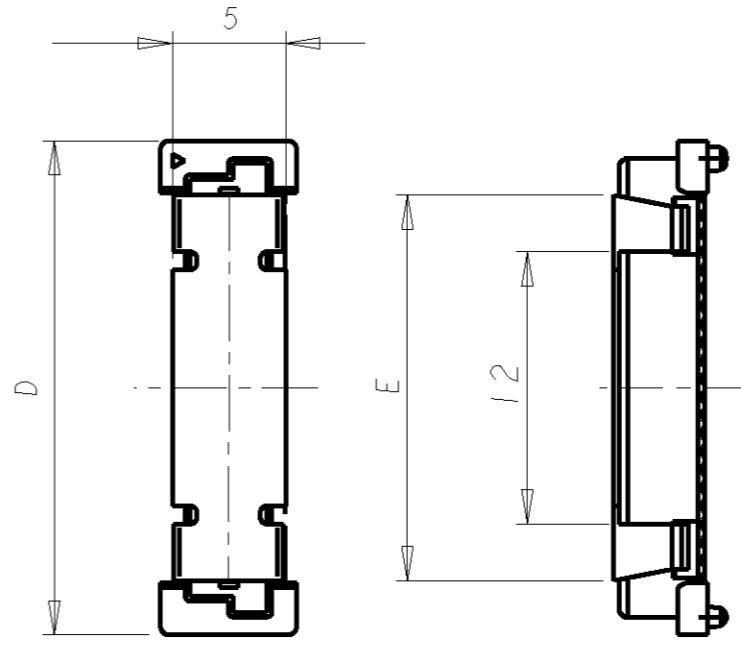


DETAIL A
(SCALE 4-1)

DETAIL B



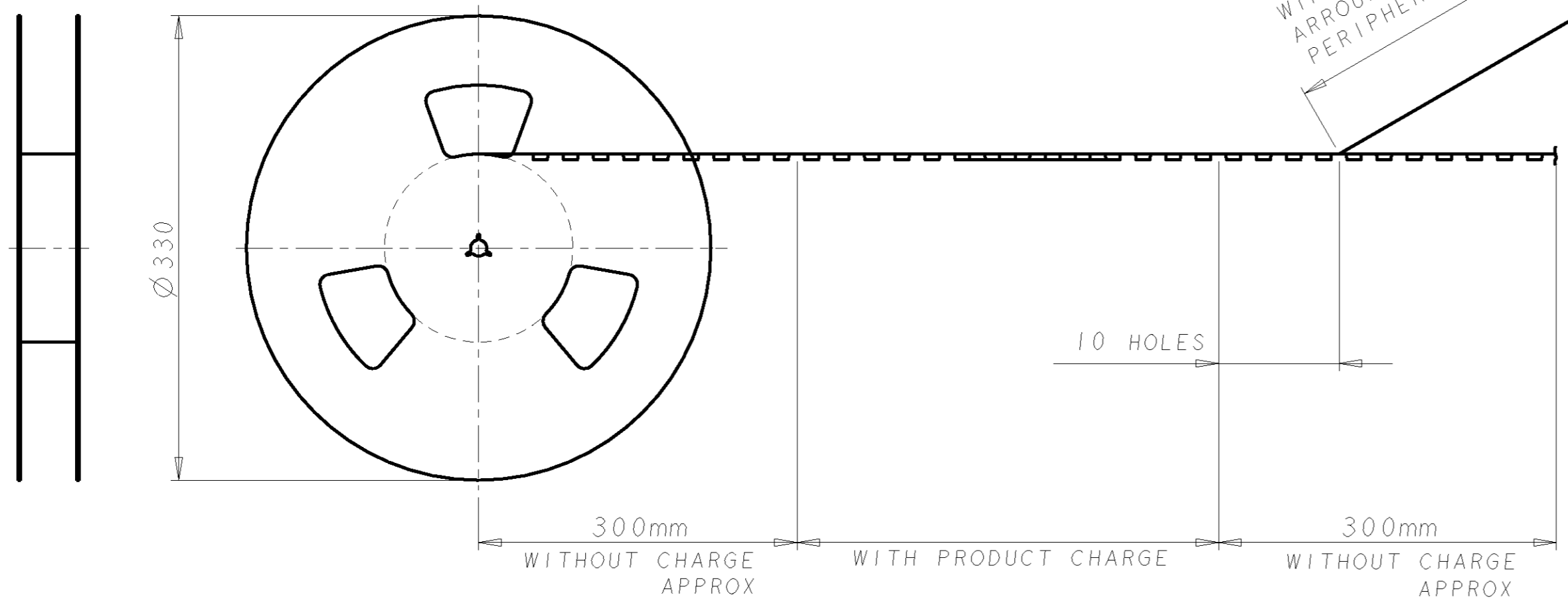
DETAIL A



DETAIL B

- NOTES:
- MATERIAL: HOUSING: L.C.P. (HIGH TEMP THERMOPLASTIC)
UL 94V-0, NATURAL.
CONTACT: BERYLIUM COPPER.
 - FINISH: CONTACT AREA: 0.0002 MIN GOLD ON
0.0013 MIN ALL OVER NICKEL.
SOLDERING AREA: 0.002 MIN MATTE TIN.
 - POSITION SERIES: SEE TABLE.
 - CONN STACK HEIGHT COMBINE OF PLUG "Y" H VS REC "X" H.
STACK HEIGHT = Y + X - 5
 - FINISH: CONTACT AREA: 0.00038 MIN GOLD ON
0.0013 MIN ALL OVER NICKEL.
SOLDERING AREA: 0.002 MIN MATTE TIN.

WINDING THE COVER TAPE
AROUND THE OUTER
PERIPHERY IN A TURN.



FINISH	QTY	F	E	D	C	B	A	POS	CONN P/N	PART NO.			
15Au-Sn 5	↑	↑	↑	85.8	104	100.4	50.2	200	2-	↑	↑	↑	-0
	↑	↑	↑	77.8	104	100.4	50.2	180	1-	↑	↑	↑	-9
	↑	↑	↑	70.1	88	84.4	42.2	160	1-	↑	↑	↑	-8
	↑	↑	↑	61.8	88	84.4	42.2	140	1-	↑	↑	↑	-6
	↑	↑	↑	53.8	72	68.4	34.2	120	1-	↑	↑	↑	-5
	700	16	↑	45.8	72	68.4	34.2	100	1-	↑	↑	↑	-4
	↑	↑	↑	37.8	56	52.4	26.2	80	1-	↑	↑	↑	-3
	↑	↑	↑	29.8	44	40.4	20.2	60	1-	↑	↑	↑	-2
	1000	12	17	21.8	32	28.4	14.2	40	1-	↑	↑	↑	-1
	↑	↑	↑	85.8	104	100.4	50.2	200	1-	↑	↑	↑	-0
08Au-Sn 2	↑	↑	↑	77.8	104	100.4	50.2	180	↑	↑	↑	↑	-9
	↑	↑	↑	69.8	88	84.4	42.2	160	↑	↑	↑	↑	-8
	↑	↑	↑	61.8	88	84.4	42.2	140	↑	↑	↑	↑	-6
	↑	↑	↑	53.8	72	68.4	34.2	120	↑	↑	↑	↑	-5
	700	16	↑	45.8	72	68.4	34.2	100	↑	↑	↑	↑	-4
	↑	↑	↑	37.8	56	52.4	26.2	80	↑	↑	↑	↑	-3
	↑	↑	↑	29.8	44	40.4	20.2	60	↑	↑	↑	↑	-2
	1000	12	17	21.8	32	28.4	14.2	40	↑	↑	↑	↑	-1
	↑	↑	↑	85.8	104	100.4	50.2	200	↑	↑	↑	↑	-0
	↑	↑	↑	77.8	104	100.4	50.2	180	↑	↑	↑	↑	-9

DIMENSIONS: mm		TOLERANCES UNLESS OTHERWISE SPECIFIED:		DWN SK LEAW 17MAY2004		CHK ERIC TNG 17MAY2004		APVD SE LEONG		TE Connectivity	
0 PLC ±		±0.3		PRODUCT SPEC 108-5390		NAME RECEPTACLE ASSEMBLY 5H TYPE (0.5 BOSS LENGTH) FOR FH 0.8 B-T-B CONN, ON TAPING		SIZE A2		CAGE CODE 00779	
1 PLC ±0.25		±0.25		APPLICATION SPEC 114-5254		DRAWING NO 5177985		SCALE 3:1		SHEET 1 OF 1	
2 PLC ±0.2		±0.2		WEIGHT -		CUSTOMER DRAWING		REV P			
3 PLC ±		±									
4 PLC ANGLES ±3°		±3°									
MATERIAL		SEE P/N TABLE									